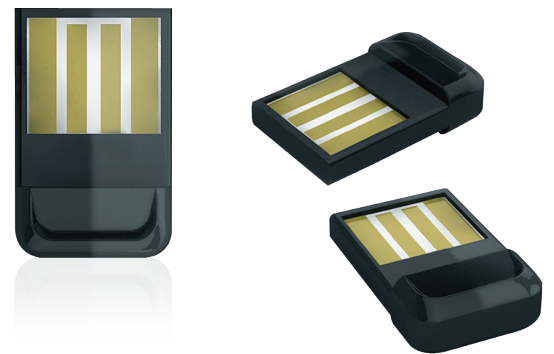


USB Dongle for Bluetooth Headsets

The Bluetooth USB dongle adds Bluetooth connectivity to your IP Phone with a wide variety of Bluetooth Headsets, allowing you to receive calls wherever you are in the office. Compatible with Bluetooth specification V4.0, back compatible with Bluetooth 1.1, 1.2, 2.0 and 3.0 for wide-ranging use.

- > Supports Yealink SIP-T27G/T29G/T46G/T48G/T46S/T48S
- > Wideband audio support
- > Answer/Terminate calls through wireless headset
- > 10m Range



Specifications

Main Features

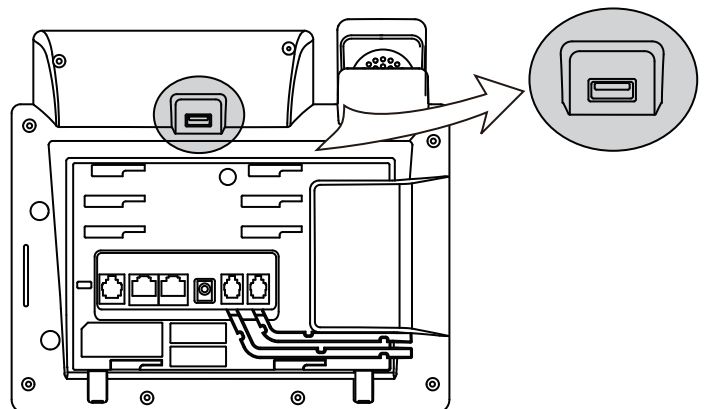
- > Bluetooth specification: V4.0+HS system
- > Enhanced Data Rate (edr) compliant for both 2Mbps and 3Mbps supported
- > A2DP technology
- > Wideband audio support
- > Operating distance: 10 meters
- > Answer incoming calls through Bluetooth headset
- > Terminate calls through Bluetooth headset
- > Adjusts the volume of Bluetooth headset through Bluetooth headset or your phone
- > Multipoint technology for connecting with 4 Bluetooth devices at the same time
- > Bluetooth frequency range: 2.402GHz-2.480GHz
- > Built-in security
- > Operation system: Windows 98SE, Windows 2000, Windows XP, Windows Vista etc.
- > Low power consumption

Physical Features

- > Supports Yealink SIP-T27G/T29G/T46G/T48G/T46S/T48S
- > USB2.0 interface
- > Symbol rate: 3Mbps
- > Dimensions: 18mm*14mm*5.5mm
- > Weight: 2g

Package Features

- > Qty/CTN: 40 PCS
- > N.W/CTN: 1.6 kg
- > G.W/CTN: 2.6 kg
- > Carton Meas: 310mm*275mm*290mm
- > Giftbox size: 119mm*113mm*26mm



Learn More

To find out how Yealink solutions can help your organization, visit us at www.yealink.com or mail to sales@yealink.com



About Yealink

Yealink (Stock Code: 300628) is a global leading unified communication (UC) terminal solution provider that primarily offers video conferencing systems and voice communication solutions. Founded in 2001, Yealink leverages its independent research and development and innovation to pursue its core mission: "Easy collaboration, high productivity." The company's high-quality UC terminal solutions enhance the work efficiency and competitive advantages of its customers in over 100 countries. Yealink is the world's second-largest SIP phone provider and is number one in the China market.

Copyright

Copyright © 2017 YEALINK(XIAMEN) NETWORK TECHNOLOGY CO., LTD.

Copyright © 2017 Yealink(Xiamen) Network Technology CO., LTD. All rights reserved. No parts of this publication may be reproduced or transmitted in any form or by any means, electronic or mechanical, photocopying, recording, or otherwise, for any purpose, without the express written permission of Yealink(Xiamen) Network Technology CO., LTD.

Technical Support

Visit Yealink WIKI (<http://support.yealink.com/>) for firmware downloads, product documents, FAQ, and more. For better service, we sincerely recommend you to use Yealink Ticketing system (<https://ticket.yealink.com>) to submit all your technical issues.