

HD Camera for Yealink SIP-T58V/SIP-T58A

Being an easy add-on, Yealink IP Phone Camera CAM50 is a HD video camera with high quality that helps your Yealink SIP-T58V/SIP-T58A IP phones to turn into a real desktop video conferencing solution in seconds.

The Yealink IP Phone Camera CAM50, powered by 2M pixels and 720P resolution, grants you an interactive collaboration with top-notch video communications experience. No any extra software driver is require, just insert the CAM50 camera to the USB port on the top of the T58V/T58A, the simple plug-and-play installation leads you to use the CAM50 camera at once. Meanwhile, to fully protect personal privacy, a special privacy shutter is attached to let you switch the video on-off easily. For the better user experience, you can adjust the camera angle forward and backward directly, empowering your video call more vivid and immersive.

Designed as your ideal office assistant, the Yealink IP Phone Camera CAM50 allows you to perfectly participant in video communications, immediately and effectively from your desktop phone.



Key Features and Benefits

- > Compatible with Yealink SIP-T58V/SIP-T58A IP Phones
- > 2 mega-pixel HD Camera
- > 720p@30fps
- > Ease-of-use
- > Plug and Play
- > Adjustable with privacy shutter

Specifications

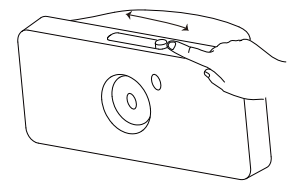
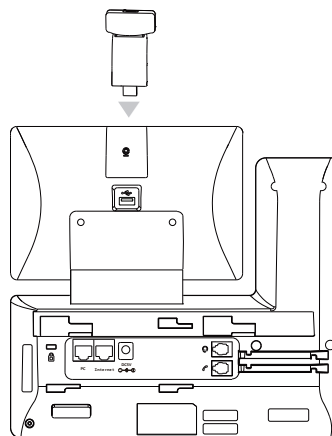
- > Video codec: H.264 High Profile, H.264, VP8
- > White Balance
- > Automatic Exposure
- > Horizontal Field of View: 63.2°
- > Vertical Field of View: 38°
- > Diagonal Field of View: 70°
- > LED indicator
- > Interface: USB 2.0
- > Power: 5V @ <500mA via USB port
- > Operating humidity: 10~95%
- > Operating temperature: 0~40°C

Compliance

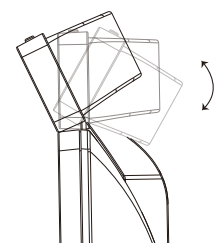


Learn More

To find out how Yealink solutions can help your organization, visit us at www.yealink.com or mail to sales@yealink.com



Adjust Shutter Switch



Adjust Camera Angle

Package Features

- > Qty/CTN: 20 PCS
- > N.W/CTN: 1.70 kg
- > G.W/CTN: 2.20 kg
- > Carton Meas: 250mm*218mm*292mm
- > Giftbox Size: 119mm*113mm*26mm



About Yealink

Yealink (Stock Code: 300628) is a global leading unified communication (UC) terminal solution provider that primarily offers video conferencing systems and voice communication solutions. Founded in 2001, Yealink leverages its independent research and development and innovation to pursue its core mission: "Easy collaboration, high productivity." The company's high-quality UC terminal solutions enhance the work efficiency and competitive advantages of its customers in over 100 countries. Yealink is the world's second-largest SIP phone provider and is number one in the China market.

Copyright

Copyright © 2017 YEALINK(XIAMEN) NETWORK TECHNOLOGY CO., LTD.

Copyright © 2017 Yealink(Xiamen) Network Technology CO., LTD. All rights reserved. No parts of this publication may be reproduced or transmitted in any form or by any means, electronic or mechanical, photocopying, recording, or otherwise, for any purpose, without the express written permission of Yealink(Xiamen) Network Technology CO., LTD.

Technical Support

Visit Yealink WIKI (<http://support.yealink.com/>) for firmware downloads, product documents, FAQ, and more. For better service, we sincerely recommend you to use Yealink Ticketing system (<https://ticket.yealink.com>) to submit all your technical issues.



YEALINK(XIAMEN) NETWORK TECHNOLOGY CO.,LTD.
Web: www.yealink.com
Addr: 309, 3th Floor, No.16, Yun Ding North Road,
Huli District, Xiamen City, Fujian, P.R. China
Copyright©2017Yealink Inc.All right reserved.